

|       |       |            |
|-------|-------|------------|
| Type: | AT-WO | 03.01.2017 |
|       |       | REV: 0     |
|       |       | BR         |
| Code: | AT-WO |            |

**Airtrack solution.**

**Pole bracket AT-WO**



**DESCRIPTION:**

The bracket AT-WO is an aluminium alloy foundry product with high mechanical characteristics. The bracket can be secured on any wooden, metallic or concrete poles, whatever their shapes round or polygonal – or diameters are. The bracket can be secured on any types of poles – drilled or not drilled – with two 20 mm stainless steel bands. If the top of the pole is drilled (wooden poles, sometimes concrete poles) the bracket can also be secured with a 14 or 16 mm bolt.

**APPLICATIONS:**

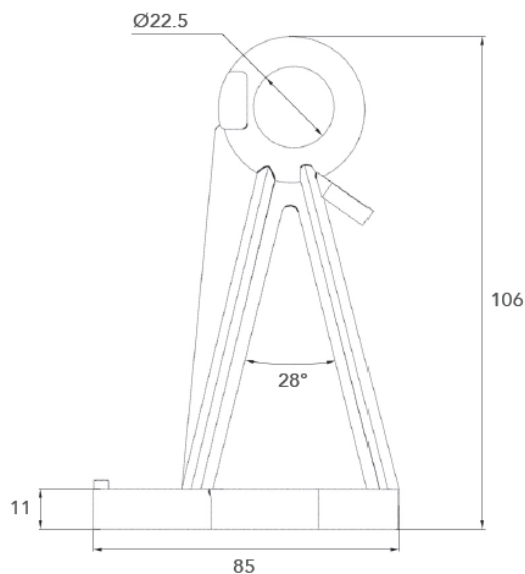
FTTx airtrack networks;

**FEATURES & BENEFITS:**

High handle force  
Easy asseby  
Securing with two 20 mm steel bands, or with one 14 or 16 mm dia. bolt

**TECHNICAL SPECIFICATION:**

| Technical data           | AT-WO                        |
|--------------------------|------------------------------|
| Dimension on the bracket | 106 x 85mm                   |
| Ø of the front ring      | 22.5mm                       |
| Min. failing load        | F (with 33°angle) = 1000 daN |
| Material                 | Aluminum alloy               |
| Weight                   | 0,2 kg                       |



**ORDER INFORMATION:**

**AT-WO - UNIVERSAL ANCHORING POLE BRACKET**

**Important notice**

Buyer and/or user of this product has to make sure before using this product that it is suitable for the intended use. All questions of liability relating to this product are subject – in accordance with the prevailing – to the Term of Sale of the selling Fibrain subsidiary.