

Residential FTTH optical node

MON-110



MON-110 is a solution designed with the new generation RFoG technology in mind. DOCSIS 3.1 opened new possibilities and we've added even more for your convenience.

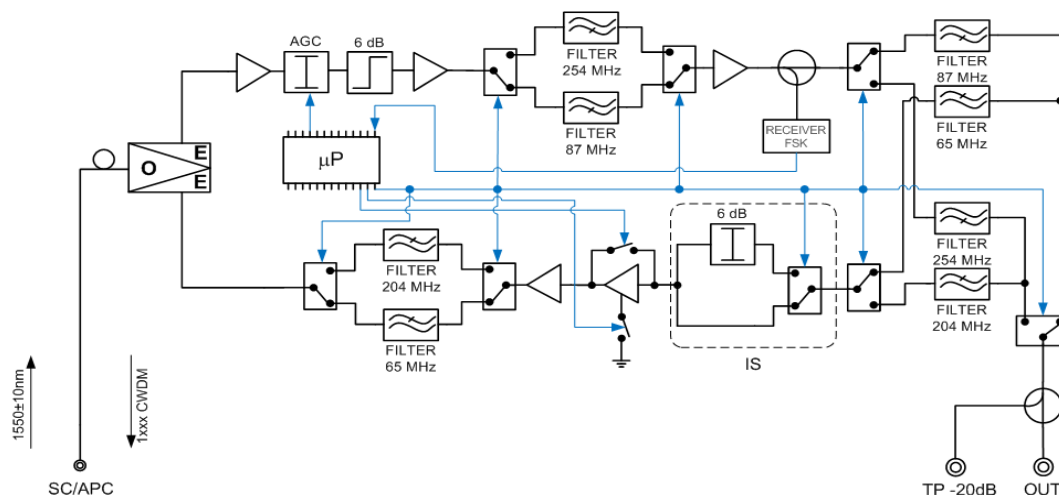
The mini-node contains 2 diplex filters (DUAL DF). These filters can be switched remotely using HDTIP technology.

Filter configuration can be made on request.

Eco mode allows you to lower the gain or disable the return path channel, which saves energy and money.

The solution can be delivered with transmitters that transmit 15 different wavelengths (CWDM).

- 1.2GHz band - DOCSIS 3.1
- RFoG
- Two built-in diplex filters
- ECO mode
- HDTIP - remote management
- Small FTTH / B node in one-fiber version
- 15 different CWDM wavelengths
- Max. Output level - 95 dB μ V (CENELEC 42)
- Perfect transmission characteristics of the forward and return path.



Parameters can be changed without notice.

www.telmor.pl

TECHNICAL DATA

OPTICAL PARAMETERS		
Optical input range	dBm	-10...±1
AGC range	dBm	-6...0
Receiver input wavelength	nm	1550 ±10
Equivalent input noise current	pA/√Hz	<6
Return loss	dB	>40
Connector type	/	SC/APC
FORWARD PATH		
Bandwidth	MHz	85/102/256...1218
Max. output level ¹⁾	dBμV	95
Linearity	dB	±1
Test point	dB	-20 ±1
Return loss ²⁾	dB	16
RETURN PATH		
Bandwidth	MHz	5...65/85/204
Return loss	dB	16
Linearity	dB	±1
Wavelengths / laser type	/	1270..1610 / DFB CWDM
Optical output power	dBm	3±1
OTHER		
Power consumption (490 mA/12V)	W	4,6
IP class	/	54
Work. temp.	°C	-20...+65
Dimensions	mm	128x95x32

1) 42 ch (CENELEC), CTB<-60 dBc i CSO<-60 dBc, 1310nm@ -4dBm, 3% OMI, AGC ON, 5dB EQ

2) 16 dB for f≤ 40MHz,
16 dB-1,5dB/oct. for f>40MHz