

Optical receiver with AGC

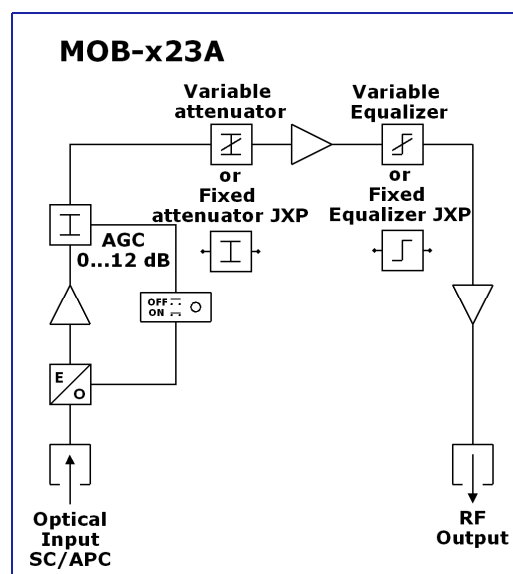
MOB-x23A



The **MOB-x23A** with AGC function is modern optical receiver designed for FTTH application. The unit is equipped with two sockets for JXP plug-in modules for output parameters configuration – gain and tilt control.

MOB-x23A built-in diode LED indicator informs of input optical power level. The receiver has one optical input – SC/APC connector and two RF outputs – F female connectors. Simple construction and easy configuration of the optical receiver, provides significant cost reduction and simplified maintenance in the modern HFC networks.

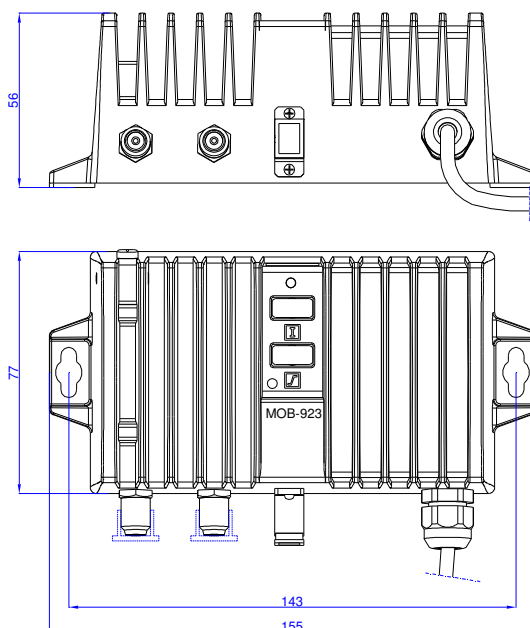
Block diagram – MOB-x23A



- Easy configuration - universal plug-in modules.
- Built-in AGC.
- Hybrid GaAs Push-pull technology.
- 3 stages LED indication of input optical power level.
- Very low power consumption – 5,5W.
- Very high isolation between outputs.
- 3 kinds of overvoltage protection.
- Switch Mode Power Supply (180-253 VAC).
- Metal, die-cast housing.

TECHNICAL SPECIFICATION – MOB-x23A

| OPTICAL PARAMETERS | | MOB-823A | MOB-923A |
|---|--------------------------|--|--------------------|
| Input level range (P_{IN}) | dBm | -8...+1 | |
| AGC range | dBm | -6...0 | |
| Optical return-loss | dB | ≥ 40 | |
| Optical input wave length | nm | 1100...1650 | |
| Max. input level (without damaging of photodetector) | dBm | +3 | |
| Indicator of optical power | / | Diode LED indicator: - orange: $P_{IN} < -6$ dBm - green: $-6 < P_{IN} < 0$ dBm - red: $P_{IN} > 0$ dBm | |
| Equivalent input noise current | pA / (Hz) ^{1/2} | 8 | |
| Optical connector | / | SC / APC | |
| RF PARAMETERS | | | |
| Frequency range | MHz | 47...862 | |
| Gain characteristic flatness | dB | $\pm 0,75$ | |
| Max. output level – DIN 45004B | dBuV | 123 | |
| Max. output level CENELEC (42 channels) 9 dB slope, 3,5% OMI - CTB ≤ 60 dBc - CSO ≤ 60 dBc | dBuV dBuV | 110 110 | |
| RF Output Stability in AGC range | dB | $\pm 1,0$ | |
| Attenuator | dB | adjustable 0...20 | plug-in JXP 0...20 |
| Equalizer | dB | plug-in JXP 0...20 | plug-in JXP 0...20 |
| Return loss at RF output | dB | ≥ 18 (40MHz) – 1,5dB / oct | |
| OTHERS | | | |
| Operating voltage | V AC / Hz | 180...253 / 50..60 | |
| Power consumption | W | 5,5 | |
| Output connector | / | F | |
| Protection class | / | IP 40 | |
| Operating temperature | °C | -20...+55 | |
| Weight | kg | 0,76 | |
| Dimensions | mm | 155 x 56 x 96 | |



Technical parameters may be changed without earlier notice

www.telmor.pl