

Control and monitoring modules for the MOB-729

C-729 local control module M-729 monitoring module



Module C-729



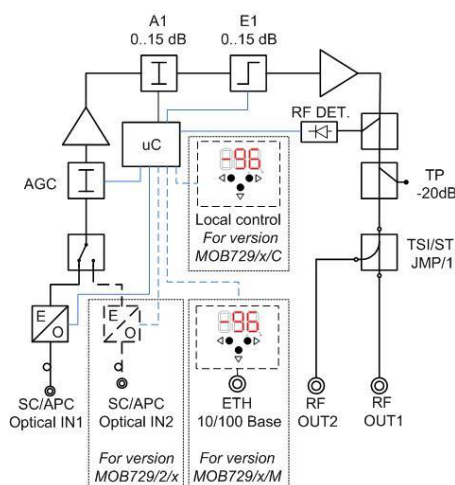
Module M-729

- Modular design
- Possible addition of functionalities in time
- Monitoring via SNMPv2c and WWW interface
- Uninterruptible adjustment of parameters
- Measurement of the RF output signal

M-729 is a monitoring module for remote control of the MOB-729 optical receiver. Applied microprocessor technology gives a full control over optical and RF parameters and the installed detector allows remote measurement of the RF output level. A remote hysteresis switching is possible in the double-input version. There is an alarm setting option where using the SNMPv2c protocol, the application sends the alarm traps to the indicated IP address. In addition to the SNMP, there is also a WWW interface. The monitoring modules has a 3-digit LED display and keyboards for local manage of parameters. The **M-729** has a unique MAC address, built-in DHCP function, it is possible to set the IP address manually.

C-729 is a local control module, used when monitoring is not necessary. Full control of the receiver is effected by means of a 3-digit LED display and keypad with three keys.

BLOCK DIAGRAM



Technical parameters may be changed without earlier notification.

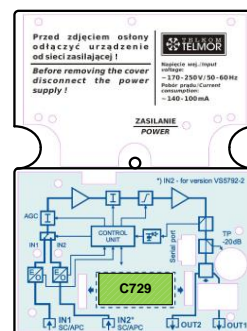
www.telmor.pl

TECHNICAL PARAMETERS

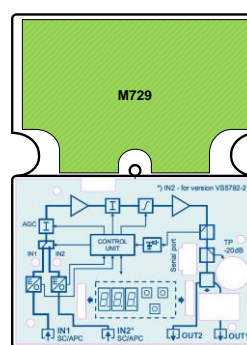
PARAMETERS		C-729
Power consumption (active display)	W	0,12
Power consumption (not active display)	W	0,06
Temperature range	°C	-20...+55
CONTROLLED PARAMETERS		READ / WRITE
Optical input power (Pin)		R / -
Hysteresis of optical input switching (Pin _{min} / Pin _{max})		R / W
Input selection (A/ B/ preferred A/ preferred B)		R / W
Output level RF (Pout)		R / -
Attenuator adjustment (A)		R / W
Equalizer adjustment (Eq)		R / W
AGC settings (on/off)		R / W

PARAMETERS		M-729
Power consumption (active display)	W	1,1
Power consumption (not active display)	W	0,8
Interface RJ45	Base	10/100
Communication standards		SNMPv2c, WWW
Operation temperature range	°C	-20...+55
MONITORED PARAMETERS		READ / WRITE
Input level (Pin)		R / -
Hysteresis of optical input switching (Pin _{min} / Pin _{max})		R / W
Input selection (A/ B/ preferred A/ preferred B)		R / W
Output level RF (Pout)		R / -
RF output power alarm (RF _{min} / RF _{max})		R / W
Temperature (T)		R / W
Temperature alarm (T Min/ T Max)		R / W
Attenuator adjustment (A)		R / W
Equalizer adjustment (Eq)		R / W
Location (GPS coordinates)		R / W
AGC settings (on/off)		R / W
Identification (type, model, SN, MAC)		R / -
ETH connection (IP, DHCP)		R / W
Power supply		R / -
Tamper		R / -

View the modules installation
(can't install two modules parallel)



MOB-729/x/C



MOB-729/x/M

Device configuration:

MOB-729 / x / x

where:

x – number of optical inputs:

(1) – one

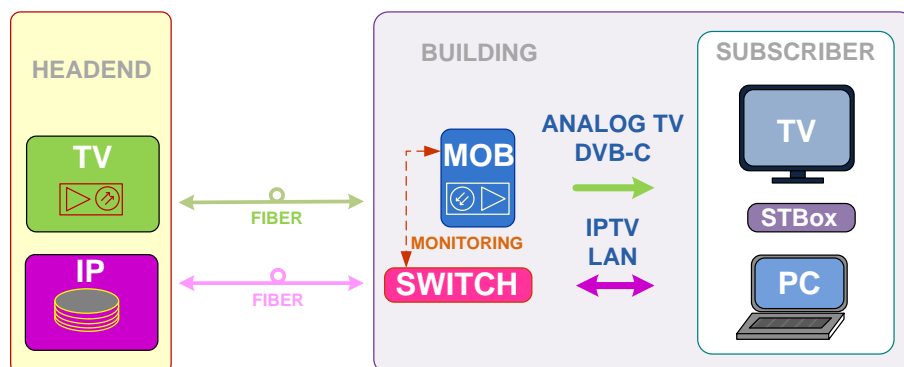
(2) – two

x – designation of the type of control:

(M) – M-729 monitoring board

(C) – C-729 led module with keyboard

Application example of MOB-729/x/M



Technical parameters may be changed without earlier notification.

www.telmor.pl