

## Parabolic antenna JRC-29DD MIMO PriS

Dual-polarized parabolic antenna **JRC-29 Deep Dish MIMO PriS** is designed for links with dual-polarized **PrismStation radio units** at the frequency band 5 GHz. The antenna is designed for environments with multiple reflections for long and medium distances in difficult conditions. **Its design with deep dish increases isolation among antennas on a mast and increases front to back ratio. The new concept expands the frequency band.**

Other models: **JRC-29DD MIMO** – standard deep dish MIMO antenna  
**JRC-29DD MIMO Precision** – antenna with precision holder JDMW-900 AR  
**JRC-29DD-SX MIMO** – antenna with stainless steel holder for adverse corrosive conditions

### Electrical parameters:

<b>Frequency range</b>	4.9 – 6.4 GHz
<b>Gain</b>	29.0 ± 1 dBi
<b>VSWR</b> 5.1 – 5.9 GHz	≤ 1.4
<b>Beamwidth</b> -3 dB	5.5°
<b>Front to Back ratio</b>	≥ 49 dB
<b>Polarization</b>	Determined by radio unit

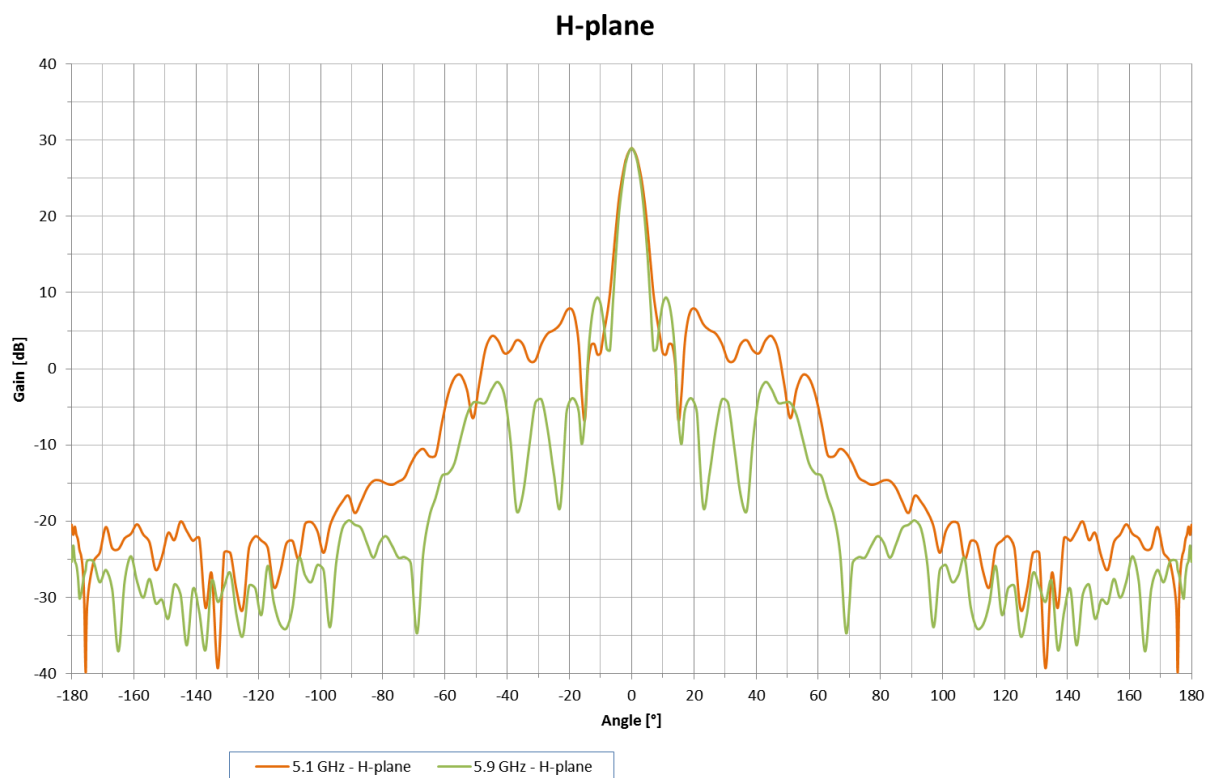
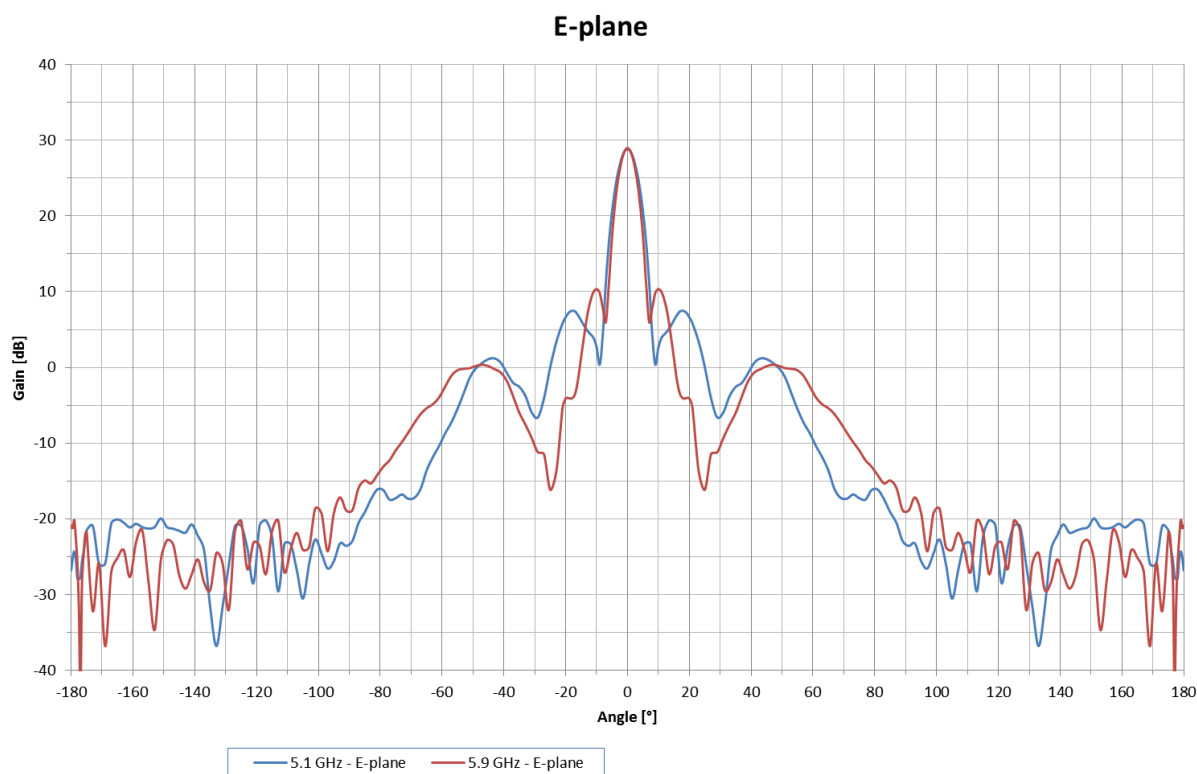
### Mechanical parameters:

<b>Parabola</b>	Ø 680 mm, Aluminium alloy
<b>Radome</b>	UV steady plastic ABS
<b>Connection</b>	Waveguide for UBNT PrismStation
<b>Installation for mast</b>	Ø 27 - 74 mm
<b>Weight of antenna</b>	6.1 kg (13.4 lbs.)
<b>Shipping dimensions - 2 pcs</b>	810 x 790 x 340 mm / 15.5 kg (34.2 lbs.)

The antenna has separate latching nuts for easy mounting and adjustment of the azimuth and elevation. Right and left side mounting possible.

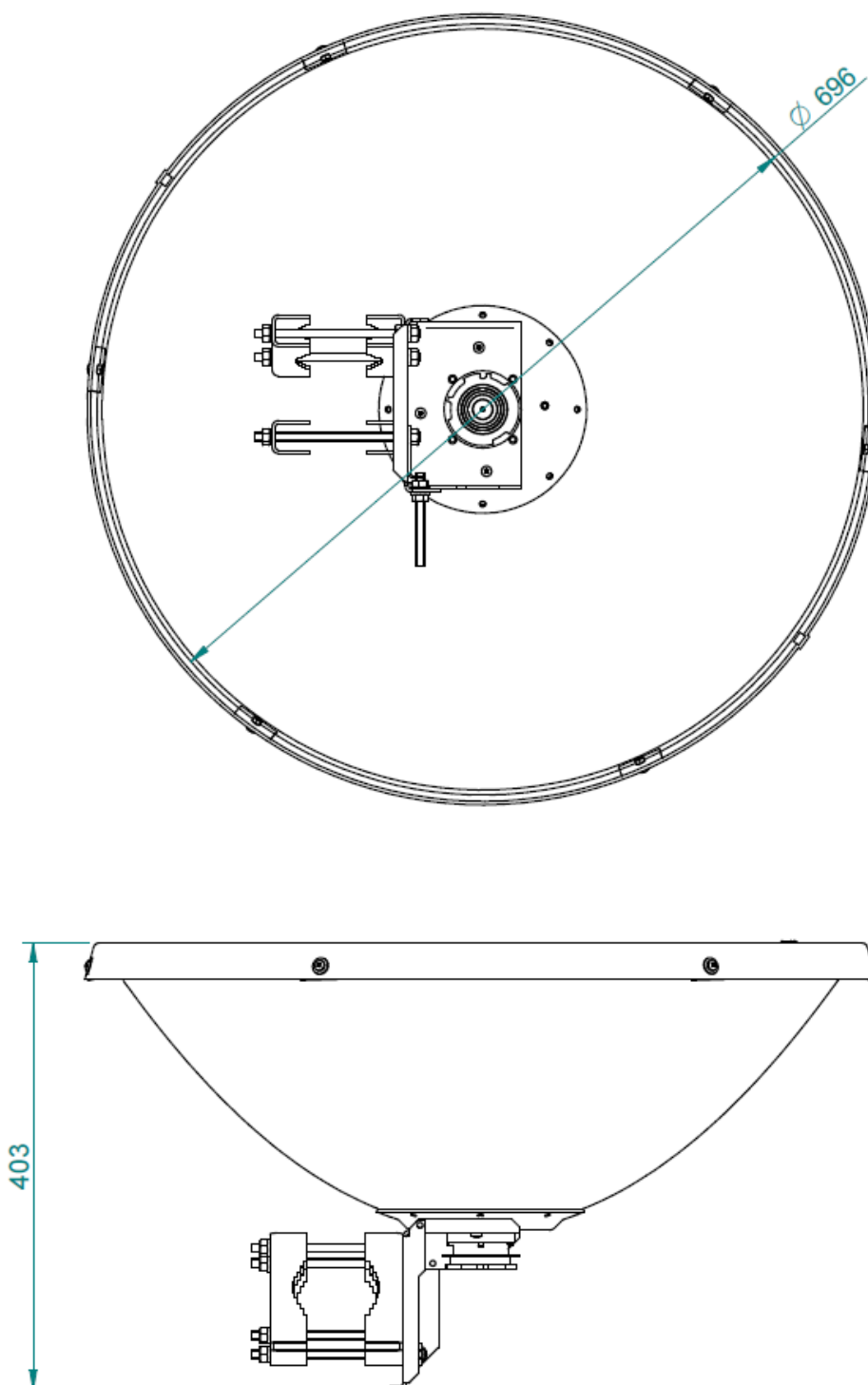
# Parabolic antenna JRC-29DD MIMO PriS

## Measurement of radiation pattern:



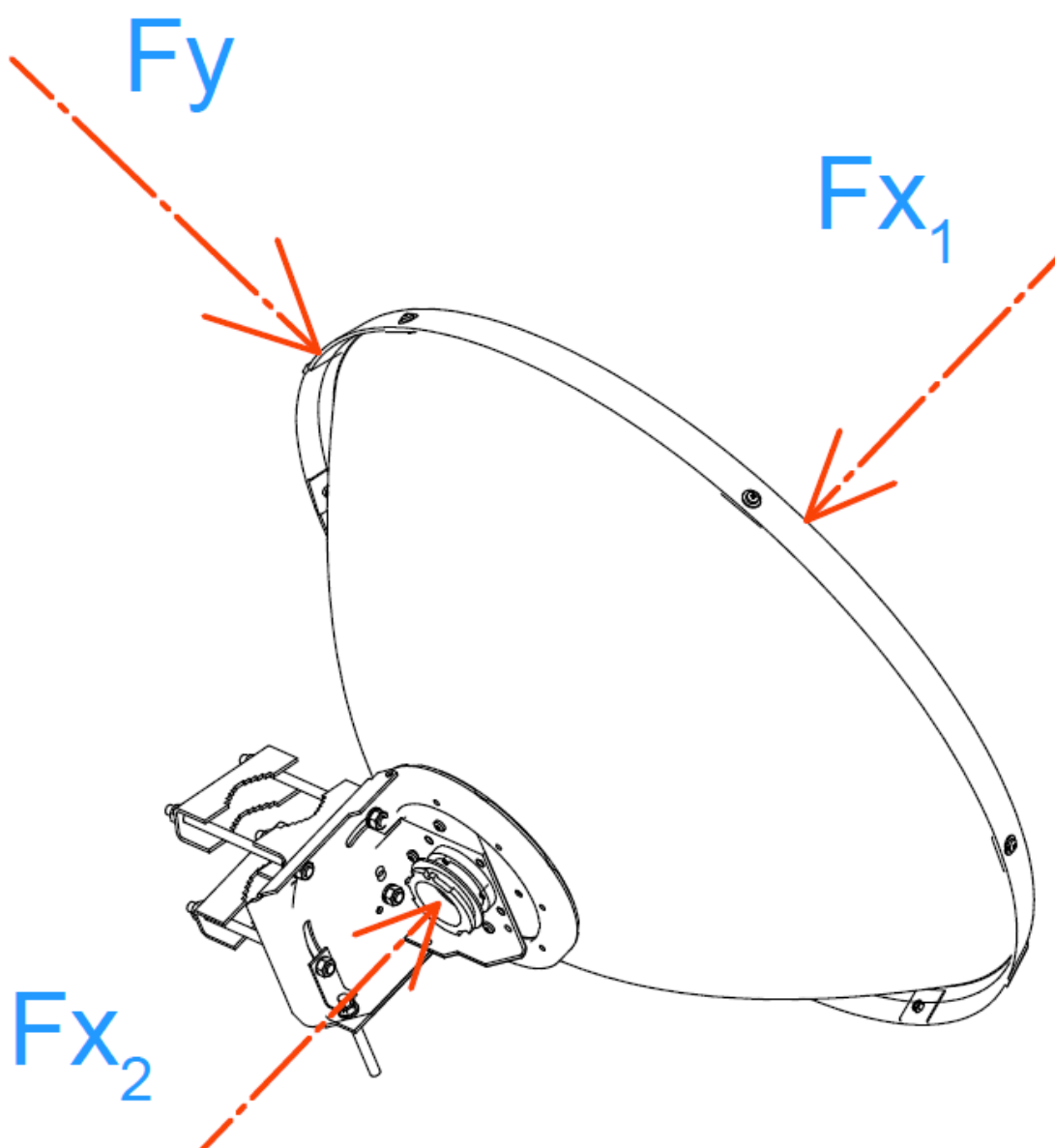
## Parabolic antenna JRC-29DD MIMO PriS

### Outline:



## Parabolic antenna JRC-29DD MIMO PriS

Wind loading:



Wind Loading at 250 km/h [125 mph]		
Direction	Force [N]	Force [lbf]
Fx1	707	159
Fx2	792	178
Fy	71	16