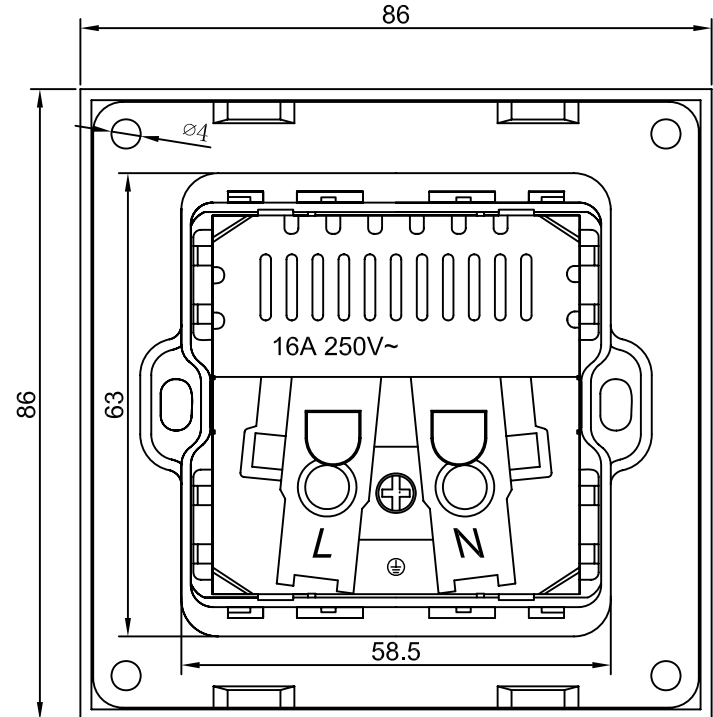
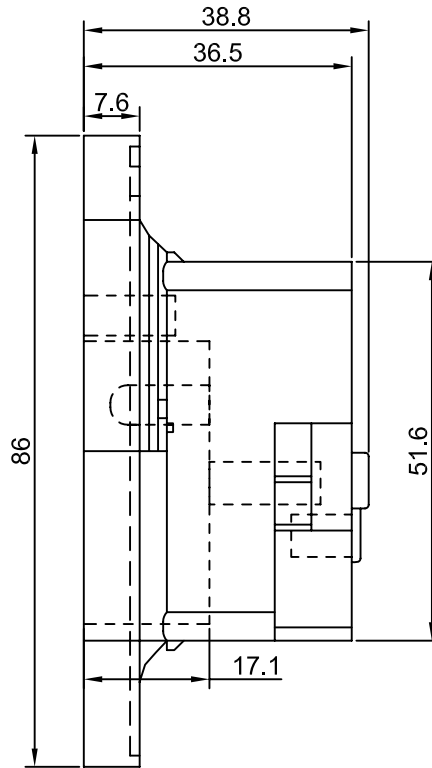
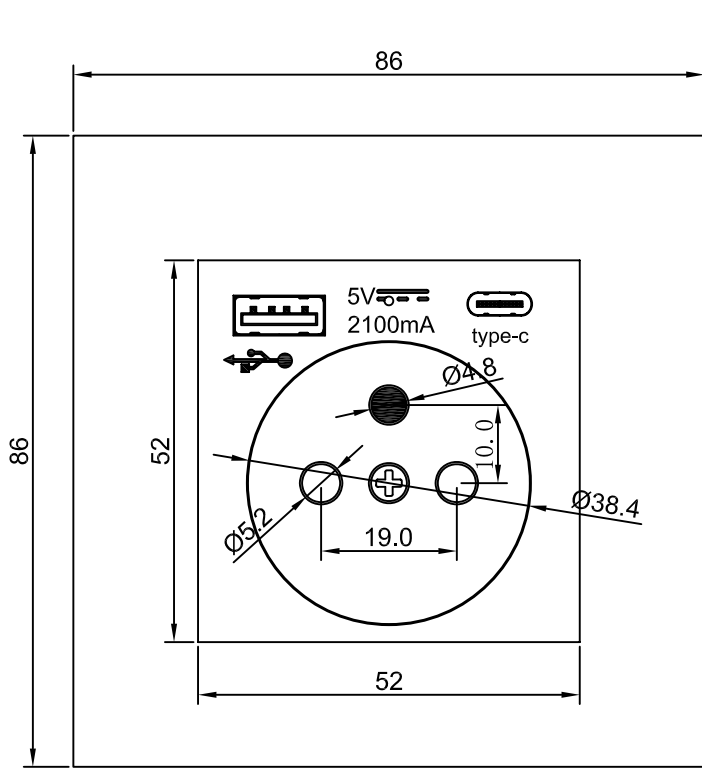



REV	DATE	EXPLAIN	ECN NO.	NAME
A/0	24.12.11	ORIGINAL VERSION	CQ.L	



Socket type	Eu Socket Outlet
Size	86*86mm
Rated Voltage	90V-250V
Material	PC
Input	250V 50-60hz
Reted Current	16A
USB Output	5v/2100mA
PartNo	DW-SC-AC-UAUC
EAN	8586026272147
Deascri	DATAWAY 230V socket with USB-A+USB-C ports

Title:				DWG NO:			
				CUS NO:			
				Approved BY:			
Unit:	mm	Scale:	1:1	Checked BY:			
Rev:	A/0	PAGE:	1 OF 1	Drawn BY:		CQ.L	
						2024/12/11	