



# Installation accessories


## Cable ties

No. REFERENCE SERIES
<b>839</b>



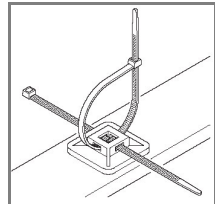
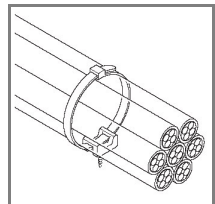
VERSIONS
 <p><b>CABLE TIES</b> For indoor wiring</p>
 <p><b>CABLE TIES</b> For outdoor wiring</p>

REFERENCE STANDARDS

MARKING
Marking: <b>CE Marking</b> 

QUALITY MARKS

TECHNICAL CHARACTERISTICS
Operating temperature: <b>-40°C+85°C for indoor wiring</b> <b>-40°C+80°C for outdoor wiring</b> Installation temperature: <b>-10°C+60°C for indoor wiring</b> <b>-20°C+60°C for outdoor wiring</b> Glow Wire test: <b>650°C</b> Material: <b>Engineering plastic</b> Colour: <b>Black</b> <b>Natural</b> IK degree at 20°C: <b>IK08/IK10</b>

 <p><b>ADHESIVE SUPPORT</b></p>
 <p><b>VIBRATION RESISTANT SUPPORT</b></p>

BEHAVIOUR WITH CHEMICAL AND ATMOSPHERIC AGENTS										
Saline solution	Acids		Bases		Solvents				Mineral oil	UV rays
	Concentrated	Diluted	Concentrated	Diluted	Hexane	Benzol	Acetone	Alcohol		
<b>RESISTANT</b>	<b>NOT RESISTANT</b>	<b>NOT RESISTANT</b>	<b>LIMITED RESISTANCE</b>	<b>RESISTANT</b>	<b>RESISTANT</b>	<b>RESISTANT</b>	<b>RESISTANT</b>	<b>RESISTANT</b>	<b>RESISTANT</b>	<b>RESISTANT</b>

# Installation accessories

## Cable ties

**No. REFERENCE SERIES**
**839**

**DIMENSIONS**
**Cable ties for indoor wiring**

DIMENSIONS (mm)	GRIP CAPACITY MIN ÷ MAX Ø mm	TENSILE STRENGTH Kg
<b>2,4x75</b>	1,5÷15	6
<b>2,5x95</b>	1,5÷18	8
<b>2,5x135</b>	1,5÷30	8
<b>2,5x160</b>	1,5÷40	8
<b>2,5x200</b>	1,5÷50	8
<b>3,6x140</b>	1,5÷35	13
<b>3,6x200</b>	1,5÷50	13
<b>3,6x290</b>	1,5÷80	13
<b>3,6x365</b>	1,5÷100	13
<b>4,8x180</b>	1,5÷45	22
<b>4,8x200</b>	1,5÷45	22
<b>4,8x250</b>	1,5÷60	22
<b>4,8x290</b>	1,5÷75	22
<b>4,8x360</b>	1,5÷100	22
<b>4,8x430</b>	1,5÷110	22
<b>7,6x180</b>	4,5÷45	55
<b>7,6x300</b>	4,5÷80	55
<b>7,6x365</b>	4,5÷100	55
<b>9x780</b>	4,5÷230	55

**Cable ties for outdoor wiring in PA12**

DIMENSIONS (mm)	GRIP CAPACITY MIN ÷ MAX Ø mm	TENSILE STRENGTH Kg
<b>6x115</b>	4÷25	25
<b>6x175</b>	10÷45	28
<b>9x120</b>	4÷22	48
<b>9x180</b>	10÷42	48
<b>9x265</b>	26÷60	50
<b>9x360</b>	30÷93	50