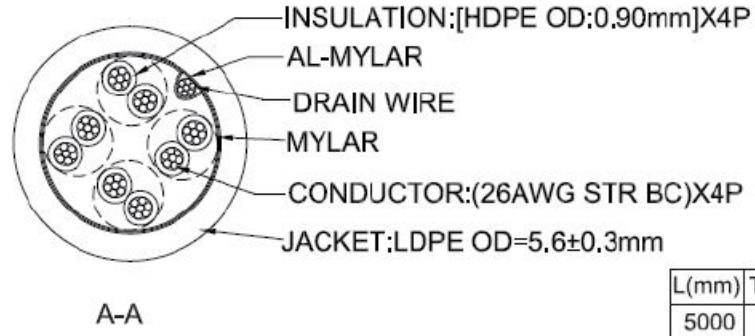
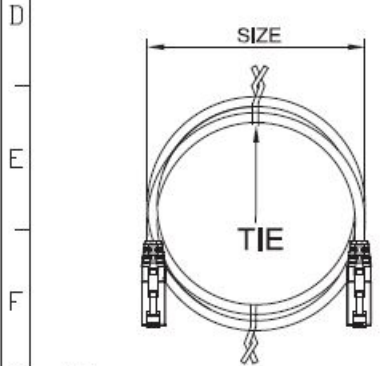
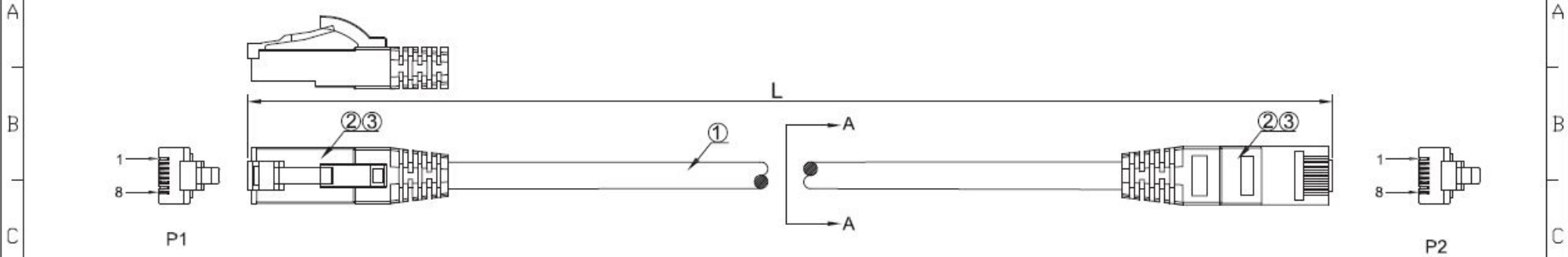


MOLDING:
YUS-28

DATE	REV.	REVISION	DRAFTING	CHECKED
2020.10.31	A/0	NEW	LMF	2020.11.02 LMF



PINOUT			
P1(T568B)		P2(T568B)	WIRE
1	X	1	WHITE/ORANGE
2		2	ORANGE
3	X	3	WHITE/GREEN
5000		6	GREEN
7000	X	4	BLUE
10000		5	WHITE/BLUE
15000	X	7	WHITE/BROWN
20000		8	BROWN
30000	Shield	Shield	BRAID

Note:
 1. Channel Test
 2.100% Test(Open,short,mlss wire)
 3.Contact Resistance:5.5Ω Max.
 4.Insulation Resistance:DC/250V,10 MΩ Min. For 0.01s
 5.Hi-pot Test:AC/250V 5mA Max. For 0.01s

③	Molding	70P PVC	AR
②	Plug	RJ45 8P8C G/F Shielded OD:1.0mm	2PCS
①	Cable	LAN CABLE Cat.5E F/UTP 26AWGX4P STR BC LDPE	AR
No.	TITLE	DESCRIPTION	Q'TY

Unless specified on the drawing, tolerances are per the follows:
 X. ±0.20 X' ±3
 .X ±0.10 .X' ±0.3
 .XX ±0.05



DRAW. NO	GFWC-S200332	TITLE	Cat.5E F/UTP 26AWG*4P LDPE PATCH CORD		
CUSTOMER	WesTech	DRAW	LMF	DATE	2020.10.31
CUST' R P/N	-	CHECK	DATE		
SCALE	NONE	APPROVED	SHEET	1 OF 1	

Cable Spec NO.	GFWL-C200190	Part Number	-	Note	<input checked="" type="checkbox"/> RoHS2.0 <input checked="" type="checkbox"/> Reach <input type="checkbox"/> GP <input type="checkbox"/> HF <input type="checkbox"/> Other
----------------	--------------	-------------	---	------	--