

# Smart Wire-Free Indoor/Outdoor Security Camera

**2K**  
Resolution

Tapo C410

 **Color Night Vision**

Up to 180-Day  
Battery Life†

Free AI  
Detection

Local microSD Storage  
(Up to 512 GB)‡



works with **amazon alexa**

works with **Google Home**

## // Highlight

### **Add Security to Your Home. Wherever. Whenever.**

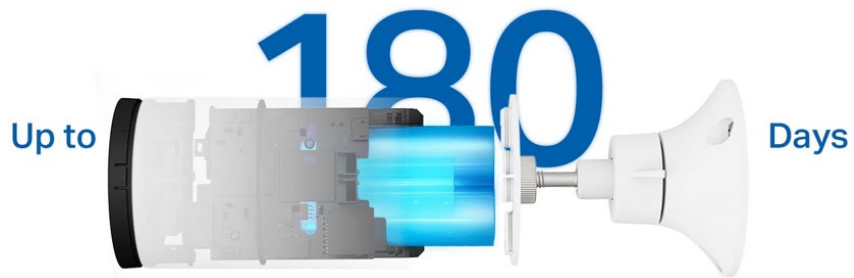
Enjoy flexible placement indoors or out with the camera's wire-free design, freeing you from being restricted to an outlet. Get all-round protection with a high-quality 2K live view, displaying vivid colors even at night.



## // Highlight

### Enduring Power for Continuous Security

With its built-in 6400 mAh rechargeable battery, the Tapo C410 reduces the frequency of recharges, providing up to 180 days of uninterrupted performance on a single charge.†



### 365 Days Endless Solar Power, Maintenance-Free\*

Enjoy a maintenance-free security experience with the Tapo Solar Panel (sold separately) to extend the working time of your camera without manual recharging.



## // Highlight

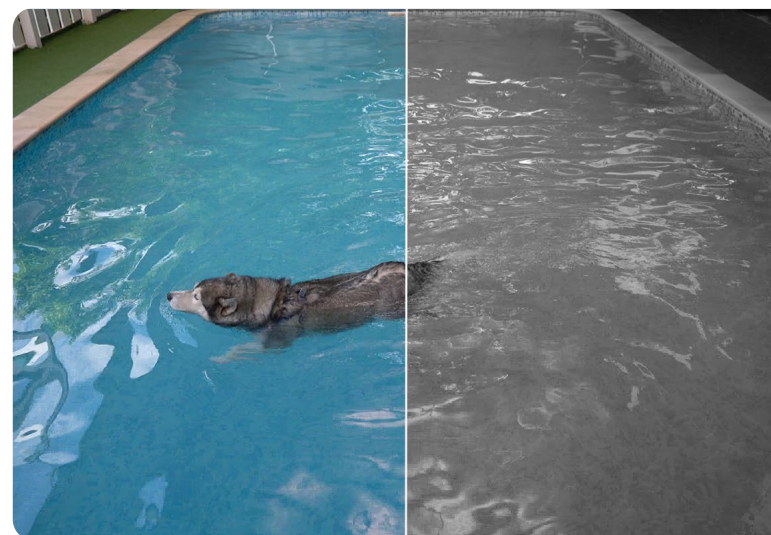
### Crisp Clear Details with 2K Clarity

Captures more details and delivers high-definition pictures with a 2304×1296 px resolution.



### Full-Color View, Day and Night

Enhances your security by revealing brighter, color images and vivid details with built-in spotlights even at night.



## // Features



### Color Night Vision

Enhances your security by revealing vivid colors with built-in spotlights.



### Rechargeable Battery

The built-in rechargeable battery leads to a long-lasting life (up to 180 days)<sup>†</sup>, extending your usage.



### 2K 3MP Live View

Captures more details and delivers high-definition pictures with a 2304×1296 px resolution.<sup>△</sup>



### Smart Person Detection

Get alerts when a person is detected, reducing false alerts and unnecessary notifications, which also extends battery life.



### Optional Solar Panel

Enjoy a maintenance-free security experience with the Tapo Solar Panel, which provides a continuous power supply.\*



### Customizable Sound and Audio Alarm

Customize your alarm by recording your own audio and adjusting the brightness of the dual spotlights to suit your preferences.



### Local and Cloud Storage

Save recorded video on a microSD card (up to 512 GB)<sup>‡</sup>, no subscription required. Cloud storage<sup>§</sup> is also supported for flexibility.



### Two-Way Audio

Enables direct communication through a built-in microphone and speaker.



### IP65 Weatherproof

Performs well even in harsh environments with rain and dust, ideal for indoor/outdoor scenarios.

## // Specifications

<b>Camera</b>	<b>Image Sensor</b>	1/2.8" Progressive Scan CMOS Starlight Sensor
	<b>Lens</b>	Focal Length: 3.17 mm Aperture: F1.65 Field of View: 125° (Diagonal), 111° (Horizontal), 56° (Vertical)
	<b>Night Vision</b>	850 nm IR LED (30 ft / 9.1 m) Full-Color Night Vision
	<b>Day/Night Switch</b>	IR Mode / Full-Color Mode / Smart Mode
	<b>Lighting</b>	2× Spotlights (4× Built-in LEDs)
	<b>Interface &amp; Button</b>	1× POWER Button 1× RESET Button 1× microSD Card Slot (Up to 512 GB)
<b>Video &amp; Audio</b>	<b>Maximum Resolution</b>	2K 3MP (2304 × 1296 px)
	<b>Frame Rate</b>	15fps
	<b>Video Compression</b>	H.264
	<b>Live View</b>	Yes
	<b>Image Enhancement</b>	3D DNR WDR
	<b>Audio Input &amp; Output</b>	Built-in Microphone and Speaker
	<b>Audio Communication</b>	Two-Way Audio with Noise Cancellation
	<b>Siren Volume</b>	94 dB (Level measured at 4-inch/10-cm distance)

<b>Storage</b>	Local Storage	microSD Card Slot on Camera (Up to 512 GB)
	Cloud Storage	Tapo Care Cloud Storage Services (Subscription required)
<b>Detection &amp; Notification</b>	Sensor	Single Motion Sensor (FOV: 110° horizontal) Single Ambient Light Sensors
	Detection	Motion Detection AI Detection (Person Detection)
	Activity Zones	Yes
	Output Notification	System Notification System Notification with Snapshot (Tapo Care Services)
<b>Network</b>	Network Connectivity	Connect via Wi-Fi
	Wireless Connectivity	IEEE 802.11b/g/n, 2.4 GHz Wi-Fi
	Transmission Rate	11b: 11 Mbps 11g: 54 Mbps 11n: 72.2 Mbps
	Protocol	TCP/IP, ICMP, DNS, HTTPS, TCP, UDP
<b>Security</b>	Security	128-bit AES Encryption with SSL/TLS WPA/WPA2-PSK



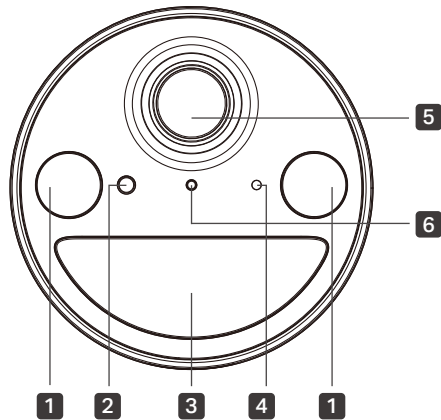
<b>Power</b>	Power Source	6400 mAh Built-in Rechargeable Lithium-ion Battery Optional Solar Panel: Tapo A201 (Sold separately), Tapo A200 (Sold separately)
	Input Voltage	Adapter Input: 100-240 V, 50/60 Hz
	Output Voltage	Adapter Output: 5.0 V, 1.0 A
	Power Cord Length	USB Adapter Cable Length: 0.5 m (19.68 in.)
	Typical Power Consumption	Camera Typical Power Consumption: 1.04 W
	Maximum Power Consumption	Camera Max Power Consumption: 2.12 W
<b>General</b>	Certifications	CE, FCC, DOE, CEC, RCM, KC, NCC, BSMI, NTRA, IP65
	Smart Integration	Google Assistant, Amazon Alexa
	Weather Resistance	IP65
	System Requirements	Tapo App: iOS 9.0 or higher, Android 4.4 or higher
	Mounting Options	Tabletop Ceiling-Mounted Wall-Mounted
	Operating Temperature	-20°C ~ 45°C (-4 °F ~ 113 °F )
	Storage Temperature	-40°C ~ 60°C (-40 °F ~ 140 °F )
	Operating Humidity	10%~90% RH, Non-condensing



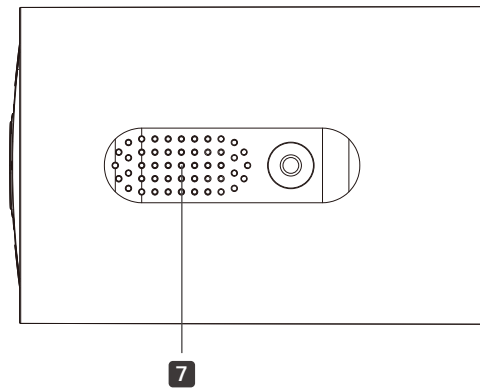
<b>General</b>	Storage Humidity	5%~90% RH, Non-condensing
	Charging Temperature	0°C ~ 45°C (32 °F ~ 113 °F )
	Dimensions	Camera Dimensions: D60 mm*89 mm (D2.36 in. * 3.5 in.)
	Weight	230 g
	Package Contents	Tapo C410 × 1 Camera Bracket × 1 USB Adapter × 1 USB Adapter Cable × 1 Screws and Anchors × 3 Mounting Template × 1 Quick Start Guide × 1

## // Appearance

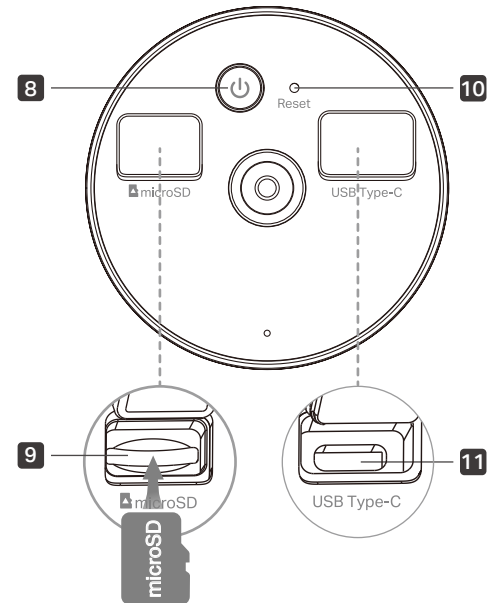
Front



Side



Back



- 1** Spotlights
- 2** Light Sensor
- 3** Motion Sensor
- 4** Microphone
- 5** Lens
- 6** Status LED
- 7** Speaker

- 8** Power Button Press and hold for about 3 seconds to turn on/off the camera.
- 9** microSD Card Slot
- 10** Reset Button Use a pin to press and hold for at least 5 seconds to reset the camera to factory default settings.
- 11** USB Type-C Charging Port

<sup>†</sup>The time of use includes recording and watching live views. 180-day battery life is based on Tapo laboratory tests with 250s of use per day. Actual battery life may vary due to device settings, usage, router specifications, and environmental factors.

<sup>‡</sup>microSD card purchased separately. Actual storage capacity depends on the size of the microSD card used.

<sup>§</sup>Subscribe for cloud storage at <https://www.tapo.com/tapocare/>

<sup>^</sup>Compatible with Alexa and Google Assistant supported displays. User experience is dependent on the connected device's specifications.

\*Tapo solar panel purchased separately. Actual experience may vary due to placement angle, weather conditions, and camera usage.

Specifications are subject to change without notice. All brands and product names are trademarks or registered trademarks of their respective holders.

©2024 TP-Link