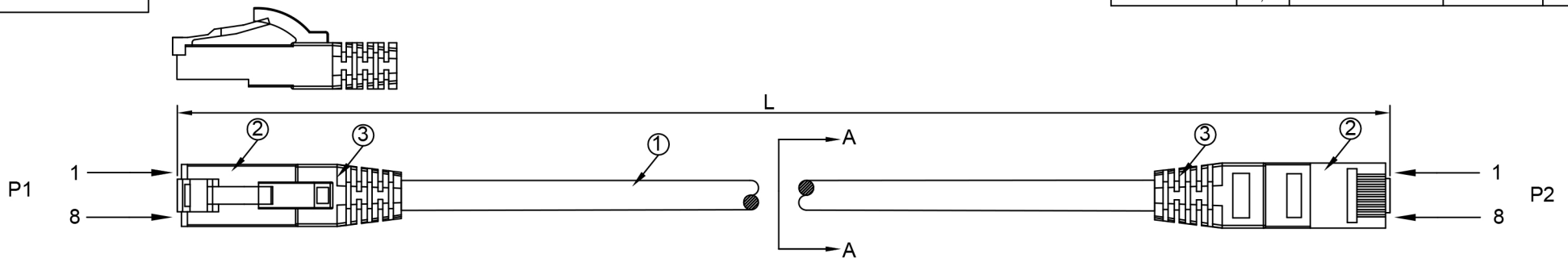
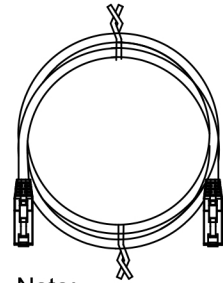


MOLDING:
YUS-28

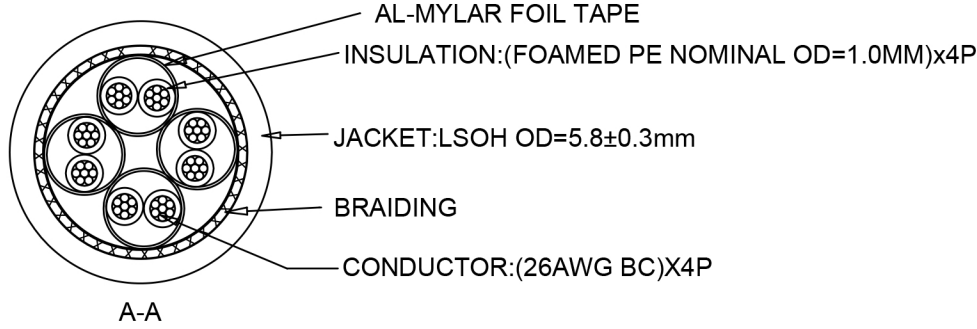
DATE	REV.	REVISION	DRAFTING	CHECKED
2019. 08. 09	A/0	NEW	LM	YB



(FP0843)INK MARKING:OXnet CAT.6A SFTP LSOH 26AWGX4P PATCH 3P VERIFIED TO ISO/IEC 11801 ED.2 & ANSI/TIA-568-C.2 & IEC 60332-1-2



Note:
L=250MM Without winding



P1	PINOUT/COLOR (T568B)	P2
1	WHITE	1
2	ORANGE	2
3	WHITE	3
6	GREEN	6
5	WHITE	5
4	BLUE	4
7	WHITE	7
8	BROWN	8
SHIELD	BRAID	SHIELD

L(MM)	T(MM)	L(MM)	T(MM)
250	±20	5000	±80
500	±20	7000	±100
1000	±30	10000	±100
2000	±30	15000	±150
3000	±30	/	/

- Note:
- 1.Channel Test
 - 2.100% Test(Open,short,miss wire)
 - 3.Contact Resistance:2 ohm max.
 - 4.Insulation Resistance:DC/250V,10M ohm min. For 0.01s
 - 5.Withstand Voltage:AC/250V 5mA Max. For 0.01s



③	MOLD	70P PVC	AR	Unless specified on the drawing, tolerances are per the follows: X. ±0.20 X° ±3 .X ±0.10 .X° ±0.3 .XX ±0.05	DRAW. NO	GFWC-S190263	TITLE	Cat. 6A S/FTP 26AWGx4P LSOH		
②	PLUG	8P8C 50U" RJ45	2		CUSTOMER	Westech	DRAW	LM	DATE	2019. 08. 09
①	CABLE	Cat.6A S/FTP 26AWGx4P LSOH	AR		CUST' R P/N		CHECK		DATE	2019. 08. 09
No.	TITLE	DESCRIPTION		Q'TY	UNIT	mm	APPROVED	CQ	SHEET	1 OF 1
Material		Part Number	Note	<input checked="" type="checkbox"/> RoHS <input checked="" type="checkbox"/> Reach <input type="checkbox"/> GP <input type="checkbox"/> HF <input type="checkbox"/> Other	WC					