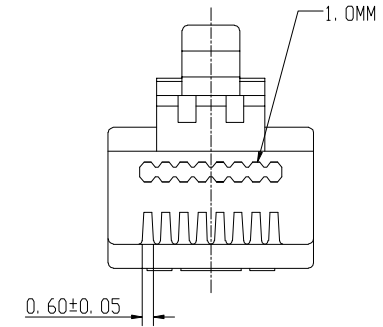
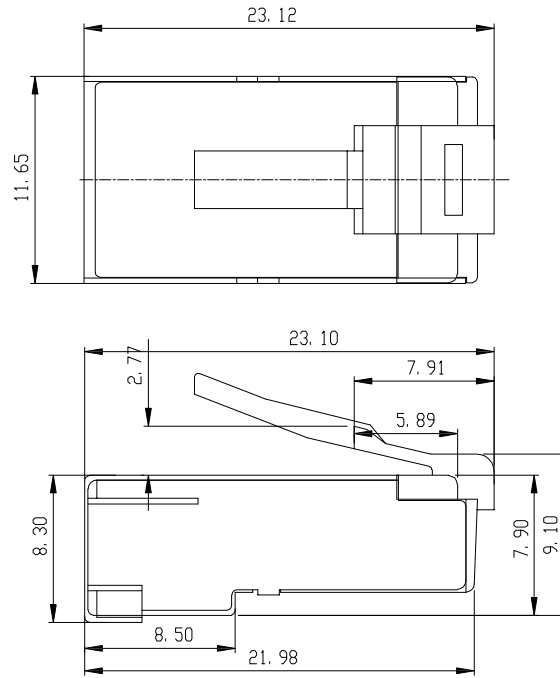
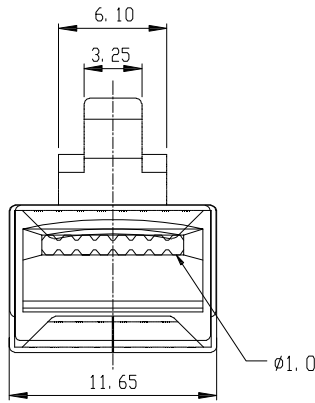




| | | | | |
|-------------|-------------|--------------|------------|----------|
| Product NO. | | RHT-620-0884 | | |
| ISSUE | DESCRIPTION | DWN | DATE | APPROVEN |
| R1.0 | First issue | Gavin | 2022/11/03 | JIM.KING |



FEATURES:
 1 Electrical Test:
 A.250V AC max at 2 amp8.
 B.Dielectric with standing 500volts A
 C..Insulation Resistance:500 megaohms.
 D.Termination Resistance:35megaohms.
 Mechanical:
 A Cable-to-Plug tensile strength-20LBs (89N)min.
 B.Durability:500 mating cycle8.

| | | | | | | |
|---|--|----------|-----------------------------|-------|------|-----------|
| -TOLERANCES- UNLESS OTHERWISE SPECIFIED | | | | | | |
| | PART DESCRIPTION: RJ45 CAT5E 8p8c Shielded EASY for Solid/Stranded Wire | | | | | |
| UNLESS OTHERWISE SPECIFIED TOLERANCES FOR MILLIMETERS ARE: 0.5 - 8mm ± 0.20mm 8 - 30mm ± 0.25mm 30 - 120mm ± 0.30mm | Appr: | JIM.KING | P/N: DW-CO-RJ45-5E-FTP-EASY | | | |
| | Check: | | Date | Scale | Unit | Type Page |
| | Draw: | Gavin | 2022.11.03 | Free | MM | Z 1/1 |