



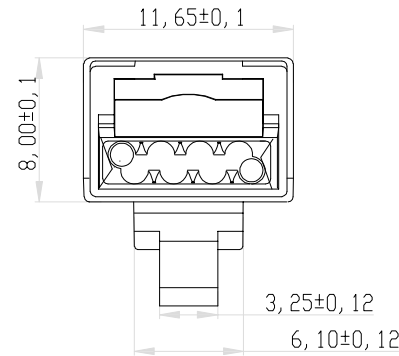
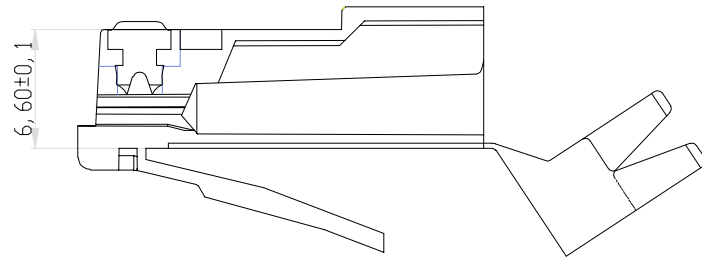
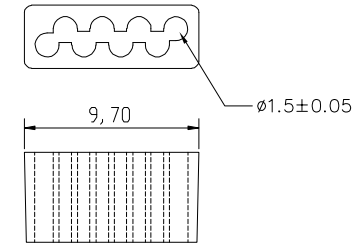
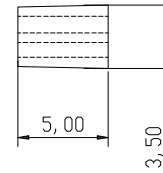
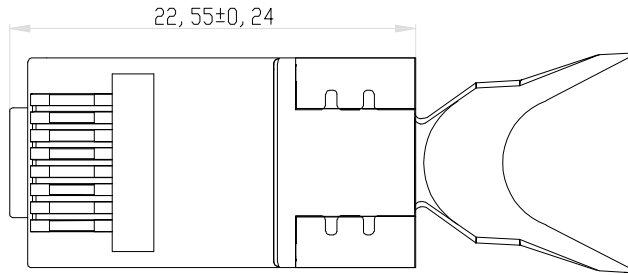
A

B

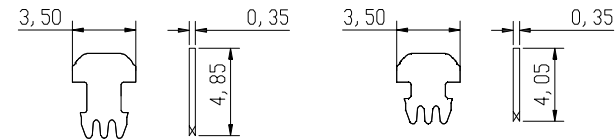
C

D

E



For Standard Wire



FEATURES:

1 Electrical Test:

A. 250V AC max at 2 amps.

B. Dielectric with standing 500volts AC.

C. Insulation Resistance: 500 megaohms.

D. Termination Resistance: 35megaohms.

2 Mechanical:

A. Cable-to-Plug tensile strength-20LBs (89N)min.

B. Durability: 500 mating cycles.

-TOLERANCES- UNLESS OTHERWISE SPECIFIED						
			PART DESCRIPTION: RJ45 CAT6A/7/7A 8p8c Shielded EASY for Solid/Stranded Wire			
UNLESS OTHERWISE SPECIFIED TOLERANCES FOR MILLIMETERS ARE: 0.5 - 8mm ± 0.20mm 8 - 30mm ± 0.25mm 30 - 120mm ± 0.30mm	Appr:	JIM.KING	P/N: DW-CO-RJ45-6A-FTP-industrial-EASY			
	Check:		Date	Scale	Unit	Type
	Draw:	Galvin	2023.02.03	Free	MM	Z

1

2

3

4

5

6