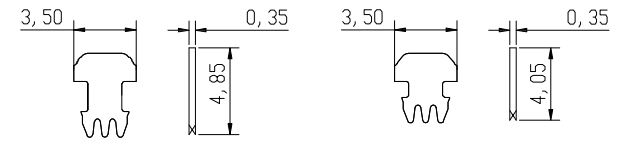
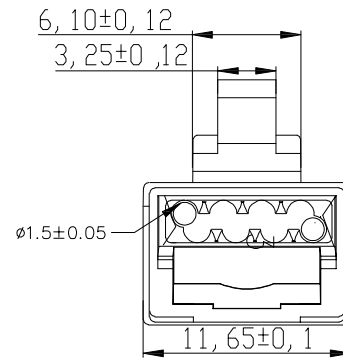
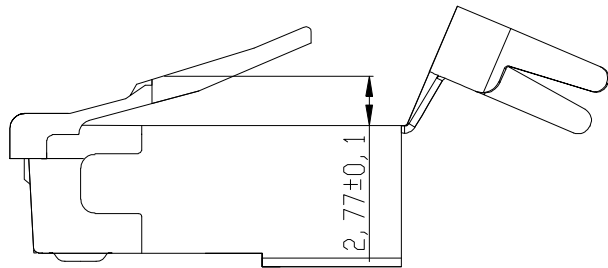
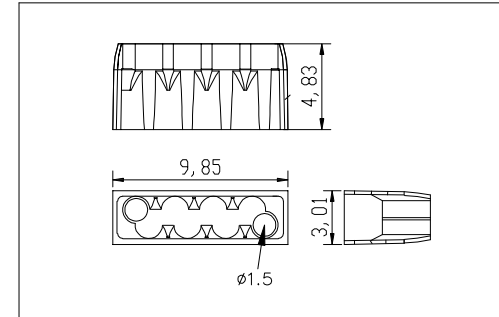
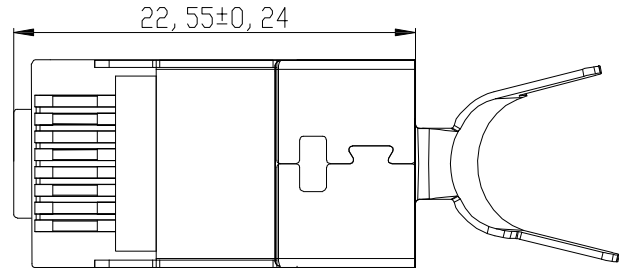




Product NO.		DW-CO-RJ45-6A-FTP-Industrial			
ISSUE	DESCRIPTION	DWN	DATE	APPROVEN	
R1.0	First issue	Gavin	2022/11/03	JIM. KING	



For Standard Wire

FEATURES:

1 Electrical Test:

A.250V AC max at 2amps.

B. Dielectric with standing 500volts AC.

C. Insulation Resistance:500 megaohms.

D.Termination Resistance:35megaohms.

Mechanical:

A.Cable-to-P1ug tensile strength-20LBs (89N) min.

B. Durability:500 mating cycles.

-TOLERANCES- UNLESS OTHERWISE SPECIFIED					
	PART DESCRIPTION: RJ45 CAT6A 8p8c Shielded Industrial for Solid Wire//Stranded Wire				
UNLESS OTHERWISE SPECIFIED TOLERANCES FOR MILLIMETERS ARE: 0.5 - 8mm ± 0.20mm 8 - 30mm ± 0.25mm 30 -120mm ± 0.30mm	Appr:	JIM. KING	P/N: DW-CO-RJ45-6A-FTP-Industrial		
	Check:		Date	Scale	Unit
	Draw:	Gavin	2022. 11. 03	Free	MM
			Type	Page	
			Z	1/1	