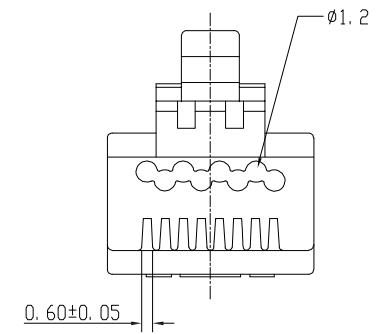
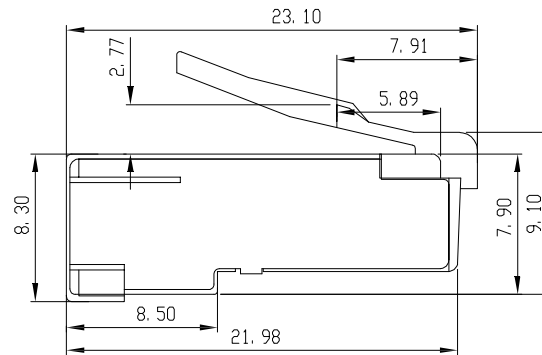
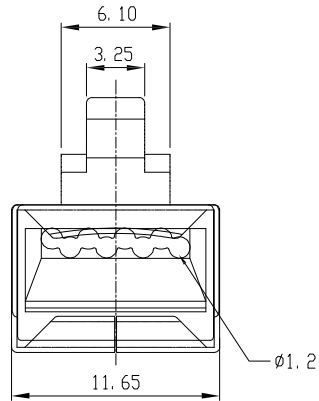
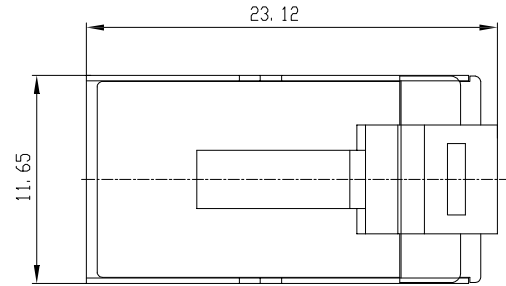




Product NO.		DW-CO-RJ45-6A-FTP-EASY		
ISSUE	DESCRIPTION	DWN	DATE	APPROVEN
R1.0	First issue	Gavin	2022/11/03	JIM.KING



FEATURES:
 1 Electrical Test:
 A.250V AC max at 2 amps.
 B.Dielectric with standing 500volts AC.
 C.Insulation Resistance: 500 megaohms.
 D.Termination Resistance : 35megaohms.
 2 Mechanical :
 A.Cable-to-Plug tensile strength-20LBs (89N)min.
 B. Durability :500 mating cycles.

-TOLERANCES- UNLESS OTHERWISE SPECIFIED					
	PART DESCRIPTION: RJ45 CAT6A 8p8c Shielded EASY for Solid Wire				
UNLESS OTHERWISE SPECIFIED TOLERANCES FOR MILLIMETERS ARE: 0.5 - 8mm ± 0.20mm 8 - 30mm ± 0.25mm 30 -120mm ± 0.30mm	Appr:	JIM.KING	P/N: DW-CO-RJ45-6A-FTP-EASY		
	Check:		Date	Scale	Unit Type Page
	Draw:	Gavin	2022.11.03	Free	MM Z 1/1