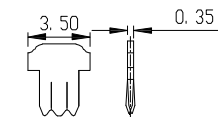
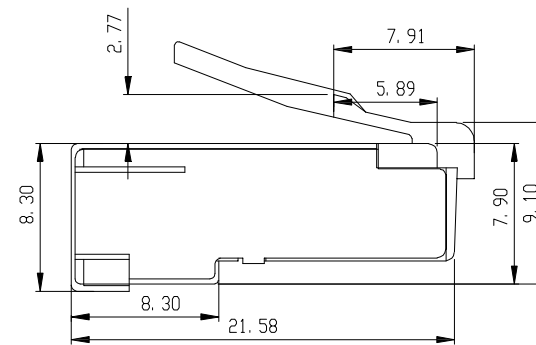
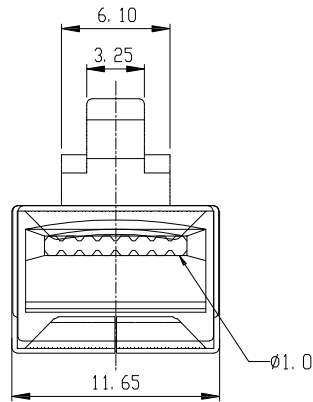
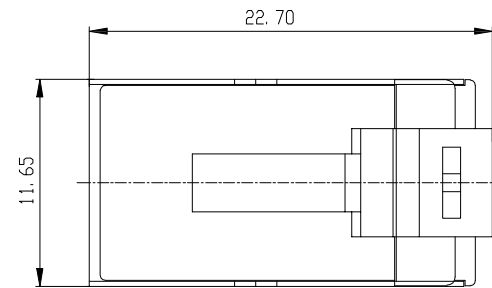




| | | | | |
|-------------|-------------|------------------------|------------|----------|
| Product NO. | | DW-CO-RJ45-5E-FTP-CLAS | | |
| ISSUE | DESCRIPTION | DWN | DATE | APPROVEN |
| R1.0 | First issue | Gavin | 2022/11/03 | JIM.KING |



For Standard Wire

FEATURES:

1 Electrical Test:

A. 250V AC max at 2 amps.

B. Dielectric with standing 500volts AC.

C. Insulation Resistance: 500 megaohms.

D. Termination Resistance: 35megaohms.

2 Mechanical:

A. Cable-to-Plug tensile strength-20LBs (89N)min.

B. Durability: 500 mating cycles.

3. Temperature Resistance: 20-120 degrees Celsius

| | | | | | |
|---|--|-----------------------------|-------|------|------|
| -TOLERANCES- UNLESS OTHERWISE SPECIFIED | | | | | |
| | PART DESCRIPTION: RJ45 CAT5E 8p8c Shielded CLASSIC for Solid Wire | | | | |
| UNLESS OTHERWISE SPECIFIED TOLERANCES FOR MILLIMETERS ARE: 0.5 - 8mm ± 0.20mm 8 - 30mm ± 0.25mm 30 - 120mm ± 0.30mm | Appr: JIM.KING | P/N: DW-CO-RJ45-5E-FTP-CLAS | | | |
| | Check: | Date | Scale | Unit | Type |
| | Draw: Gavin | 2022.11.03 | Free | MM | Z |

1

2

3

4

5

6